



REPLY TO
ATTENTION OF

DEPARTMENT OF THE ARMY
THE INSTITUTE OF HERALDRY
5375 GURSTON ROAD, ROOM 8112
FORT BELVOIR, VIRGINIA 22060-5579

AAHS-IHS (840-10a)

18 NOV 2007

MEMORANDUM FOR Commander, Special Warfare Education Group (Airborne),
United States Army John F. Kennedy Special Warfare Center and School, ATTN:
SWEG (LTC Field), Building D-3915 Ardennes Street, Fort Bragg, NC 28310

SUBJECT: Beret Flash and Background Trimming for the Special Warfare Education
Group (Airborne)

1. In accordance with the provisions of AR-670-1, a beret flash and background trimming are authorized for wear by members of the Special Warfare Medical Group effective 1 October 2007.
2. The descriptions of the designs are as follows:

BERET FLASH

A shield-shaped embroidered device with a semi-circular base and an ultramarine blue diagonal line 1/8 inch (.32 cm) from upper left to lower right, fimbriated by two yellow lines 1/16 (.16 cm), dividing the background in half, black and silver gray, 2 1/4 inches (5.72 cm) in height and 1 7/8 inches (4.76 cm) in width, edged with a 1/8 inch (.32 cm) yellow border.

BACKGROUND TRIMMING

An oval shaped-embroidered device with an ultramarine blue diagonal line 1/8 inch (.32 cm) from upper left to lower right, fimbriated by two yellow lines 1/16 inch (.16 cm) dividing the background in half, black and silver gray, 1 3/8 inches (3.49 cm) in height and 2 1/4 inches (5.72 cm) in width, edged with a 1/8 inch (.32 cm) yellow border.

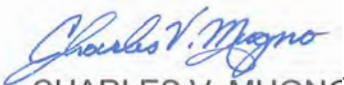
CABLE NUMBERS OF COLORS

Ultramarine Blue	#67118
Silver Gray	#67137
Black	#67138
Yellow	#67108

AAHS-IHS (840-10a)

SUBJECT: Beret Flash and Background Trimming for the Special Warfare Education Group (Airborne)

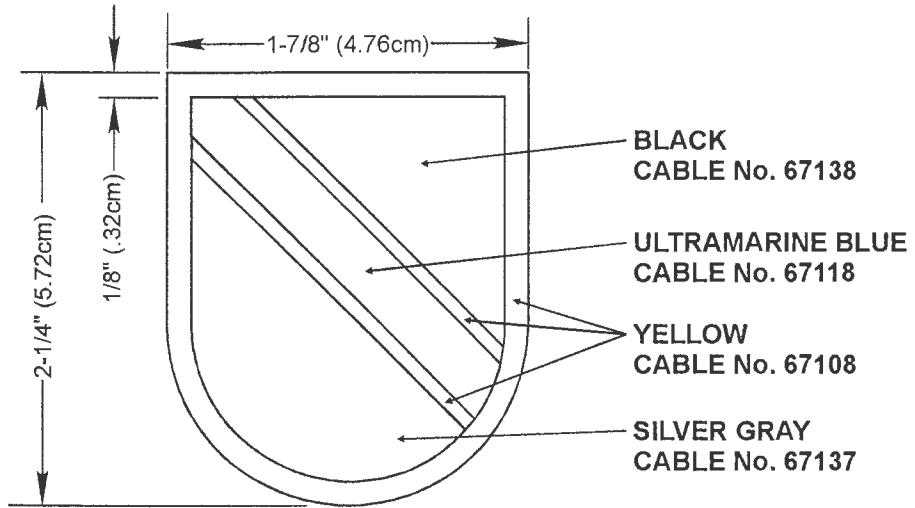
3. This authorization does not grant exclusive use of the above colors and pattern design for the Special Warfare Education Group.


CHARLES V. MUGNO
Director

CF: CMH

REVISIONS

LTR	DESCRIPTION	DATE	APPROVED
-----	-------------	------	----------



DESIGNED FOR OVEREDGE STITCHING

UNLESS OTHERWISE SPECIFIED DIMENSIONS ARE IN INCHES
TOLERANCES ON FRACTIONS DECIMALS ANGLES

MATERIALS:
TO BE MANUFACTURED IN ACCORDANCE WITH MIL-DTL-14652

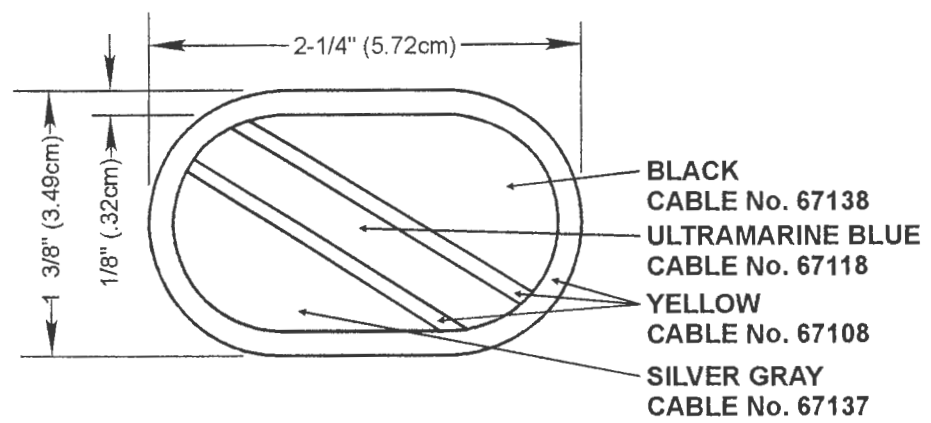
EXAMINED	<i>COO</i>	
CHECKED	<i>ypw</i>	
PREPARED	CLH	
APPROVED	<i>Charles V. Mugno</i> CHARLES V. MUGNO DIRECTOR	

THE INSTITUTE OF HERALDRY, DEPARTMENT OF THE ARMY
9325 GUNSTON RD, RM S-113 FORT BELVOIR, VA 22060-5579

BERET FLASH FOR		
SPECIAL WARFARE EDUCATION		
GROUP		
SIZE	CONTROL IDENT. NO	
A	22571	A - 4 - 287
SCALE	FULL	DATE 6 NOVEMBER 2013

REVISIONS

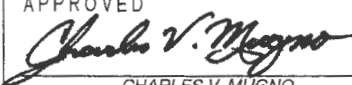
LTR	DESCRIPTION	DATE	APPROVED
-----	-------------	------	----------



DESIGNED FOR OVEREDGE STITCHING

UNLESS OTHERWISE SPECIFIED DIMENSIONS ARE IN INCHES
TOLERANCES ON FRACTIONS DECIMALS ANGLES

MATERIALS:
TO BE MANUFACTURED IN ACCORDANCE WITH MIL-DTL-14652

EXAMINED	<i>Sag</i>
CHECKED	<i>pa</i>
PREPARED	CLH
APPROVED	 CHARLES V. MUGNO DIRECTOR

THE INSTITUTE OF HERALDRY, DEPARTMENT OF THE ARMY
9325 GUNSTON RD, RM S-113 FORT BELVOIR, VA 22060-5579

BACKGROUND TRIMMING FOR
SPECIAL WARFARE EDUCATION
GROUP

SIZE A	CONTROL IDENT. NO 22571	A - 6 - 312
SCALE FULL	DATE	6 NOVEMBER 2013



